

MRS-6

WEATHERPROOF MAIN/RESERVE TRANSFER STATION w/ LEDs



P/N: 97414

Features

- NEMA 4X Enclosure
- Surface Mount
- Key Removable in Both Positions
- Yellow and Green LEDs
- Two N.C. Contacts, Two N.O. Contacts
- Enclosure: UL Listed, CE, CSA
- Keyed Selector: UL Listed, CE, CSA
- Pilot Lights: UL Listed, CE, CSA

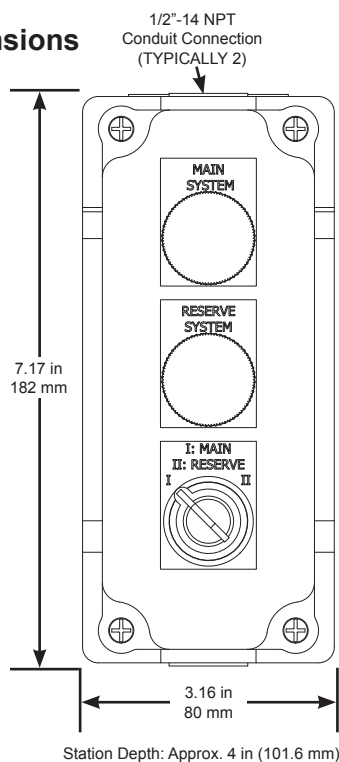
Description

The Janus Fire Systems® MRS-6 Weatherproof Keyed Main/Reserve Transfer Station is used to transfer suppression system releasing circuits from a main supply to a reserve supply. The MRS-6 comes with a key that is removable in either the main or reserve position. The MRS-6 has an aluminum enclosure that is rated NEMA 4X for outdoor use. It ships with an operation instruction plate to be mounted above the station.

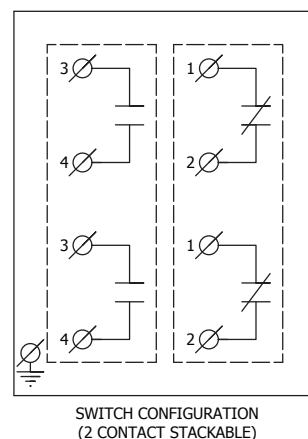
Operation

To transfer control to the reserve cylinder arrangement, insert key and turn to reserve position. Then remove key. The green Main LED will light up when the switch is in the Main position and the yellow Reserve LED will light up when the switch is in the Reserve position.

Dimensions



Schematic





Specifications

| | |
|-------------------------|---|
| Temperature: | -13° to 120°F (-25° to 48.9°C) |
| Weight: | 1.75 lbs (0.79 kg) |
| Dimensions: | 7.17 in H x 3.16 in W x 4 in D (182 mm x 80 mm x 101.6 mm) |
| Color: | Face Plate – Painted Aluminum Main LED – Green Reserve LED – Yellow |
| Contacts (DPDT) Rating: | 4 amps at 30 VAC; 0.5 amps at 30 VDC |
| Terminal Connections: | 2 x 16 AWG, 1 x 14 AWG |

Ordering Information

| Model | P/N | Description | Ship Wt. lb (kg) |
|-------|-------|---|---------------------|
| MRS-6 | 97414 | Keyed Main/Reserve Transfer Station w LEDs - Weatherproof | 1.75 (0.8) |
| N/A | 99997 | N.C. Contact Block - Red | 0.1 (0.05) |
| N/A | 99998 | N.O. Contact Block - Green | 0.1 (0.05) |
| N/A | 99996 | Replacement Key | 0.1 (0.05) |

Note: Listings and Approval are maintained by Teknik Electric Pvt Ltd

The seller makes no warranties, express or implied, including, but not limited to, the implied warranties of merchantability and fitness for a particular purpose, except as expressly stated in the seller's sales contract or sales acknowledgment form. Every attempt is made to keep our product information up-to-date and accurate. All specific applications cannot be covered, nor can all requirements be anticipated. All specifications are subject to change without notice.



1102 Rupcich Drive
 Millennium Park
 Crown Point, IN 46307
 TEL: (219) 663-1600 FAX: (219) 663-4562
 e-mail: info@janusfiresystems.com
www.janusfiresystems.com