



PAD100-LED

ADDRESSABLE LED MODULE



P/N 97656

Features

- Single addressable red LED indicator
- Mounts in a standard 4" or double gang box
- SLC Class A, Class X & Class B
- Wiring terminals accessible when mounted in box
- All wiring terminals accept 22 to 12 AWG

Specifications

Operating Voltage: 24.0V
 Max SLC Standby Current: 240µA
 Max SLC Alarm Current: 240µA
 Operating Temperature Range: 32°F - 120°F (0° - 49°C)
 Operating Humidity Range: 0 to 93% (non-condensing)
 Max no. of Module Per Loop: 127 units
 Dimensions: 4.17" × 4.17" × 1.14" (106 mm x 106 mm 29 mm)
 Mounting Options: Standard 4" Square or Double Gang Box
 Shipping Weight: 0.6 lbs

Description

The PAD100-LED uses one (1) SLC loop address when used as an addressable indicator. The module mounts on either a 4" square or double gang box. The PAD100-LED includes one red LED to indicate the modules status. In normal condition, the LED flashes when the device is being polled by the control panel. When activated, the LED will flash at a fast rate.

Application

The PAD100-LED is compatible with JFS-IP series addressable fire alarm control panels. The PAD100-LED is an addressable LED module used to provide indication of a variety of system conditions.

Setting the Address

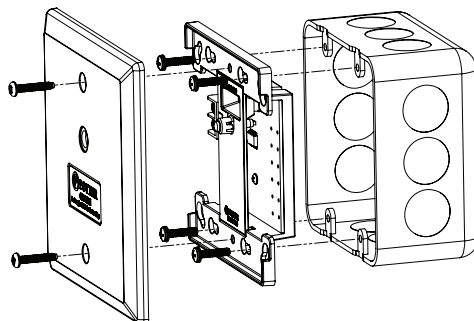
Each addressable SLC device must be assigned an address. The address is set using the DIP switch located on the PAD100-LED.

Before connecting a device to the SLC loop, take the following precautions to prevent potential damage to the panel or device:

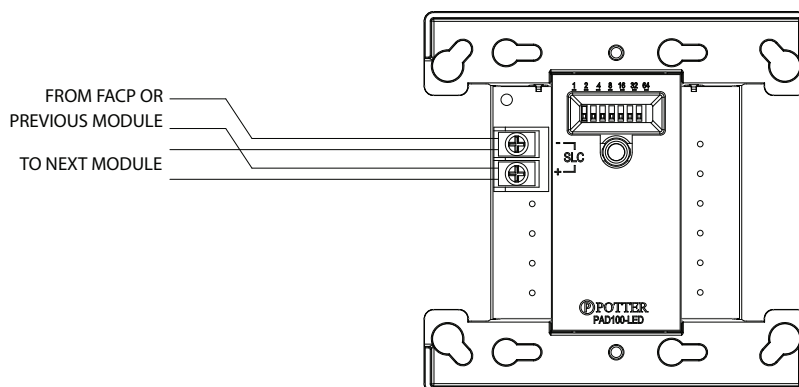
1. Power to the device is removed.
2. Field wiring is correctly installed.
3. Field wiring has no open or short circuits.



Installation



Wiring



Ordering Information

Model Number	Description	P/N
PAD100-LED	Addressable LED Module	97656

Note: Approvals/Listings maintained by and manufactured by Potter Electric Signal Company.

The seller makes no warranties, express or implied, including, but not limited to, the implied warranties of merchantability and fitness for a particular purpose, except as expressly stated in the seller's sales contract or sales acknowledgment form. Every attempt is made to keep our product information up-to-date and accurate. All specific applications cannot be covered, nor can all requirements be anticipated. All specifications are subject to change without notice.



1102 Rucpich Drive
 Millennium Park
 Crown Point, IN 46307
 TEL: (219) 663-1600 FAX: (219) 663-4562
 e-mail: info@janusfiresystems.com
www.janusfiresystems.com