



PAD100-TRTI

TWO RELAY TWO INPUT MODULE



P/N 97665

Features

- Single module with dual contact monitoring inputs
- Two (2) Class B or one (1) Class A monitoring inputs
- Two (2) Form C relay contacts
- SLC Class A, Class X & Class B
- Mounts in a standard 4" or double gang box
- Wiring terminals accessible when mounted in box
- All wiring terminals accept 22 to 12 AWG

NOTE: This addressable module does not support 2-wire smoke detectors.

Specifications

Operating Voltage: 24.0V

Max SLC Standby Current: 240 μ A

Max SLC Alarm Current: 240 μ A

Relay Contacts: 2A @30VDC, 0.5A @125VAC

Max Wiring Resistance of IDC: 100 Ω

Max Wiring Capacitance of IDC: 1 μ F

EOL Resistor: 5.1K Ω

Operating Temperature Range: 32 to 120°F (0 to 49°C)

Operating Humidity Range: 0 to 93% (non-condensing)

Max no. of Module Per Loop: 127 units

Dimensions: 4.17" \times 4.17" \times 1.14" (106 mm \times 106 mm 29 mm)

Mounting Options: Standard 4" Square or Double Gang Box

Shipping Weight: 0.6 lbs

Description

The PAD100-TRTI uses one (1) SLC loop addresses when monitoring two (2) Class B circuits or one (1) Class A circuit. The PAD100-TRTI also provides two (2) Form C relay contacts. The module mounts on either a 4" square or double gang box. The module is capable of monitoring two (2) separate Class B circuits making it ideal for monitoring sprinkler waterflow and valve tamper switches when they are located in the same proximity. The PAD100-TRTI includes one red LED to indicate the module's status. In normal condition, the LED flashes when the device is being polled by the control panel. When an input is activated, the LED will flash at a fast rate.

Application

The PAD100-TRTI is compatible with JFS-IP series addressable fire alarm control panels. The PAD100-TRTI is an interface module used to monitor dry contact devices such as sprinkler waterflow, valve tamper switches, or conventional pull stations. The module is capable of monitoring two separate Class B or one Class A circuits. The PAD100-TRTI also provides two (2) form C relay contacts.

Setting the Address

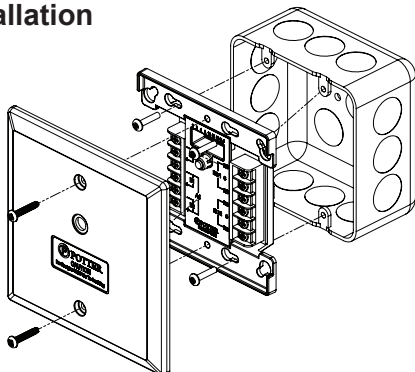
Each addressable SLC device must be assigned an address. The address is set using the DIP switch located on the PAD100-TRTI. The PAD100-TRTI is assigned a single device address, each input and relay is identified as a sub-point of that single module address. For example, if the address number is assigned as "8", the RLY1 relay will be "8.1", the RLY2 relay will be "8.2", the B1 input will be "8.3" and the B2 input will be "8.4".

Before connecting a device to the SLC loop, take the following precautions to prevent potential damage to the panel or device:

1. Power to the device is removed.
2. Field wiring is correctly installed.
3. Field wiring has no open or short circuits.



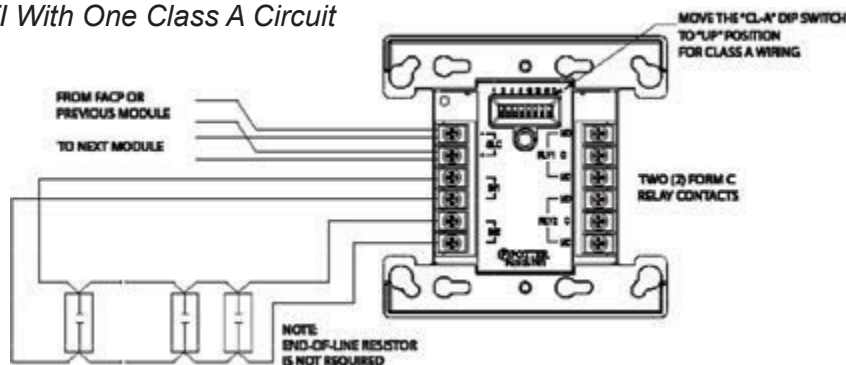
Installation



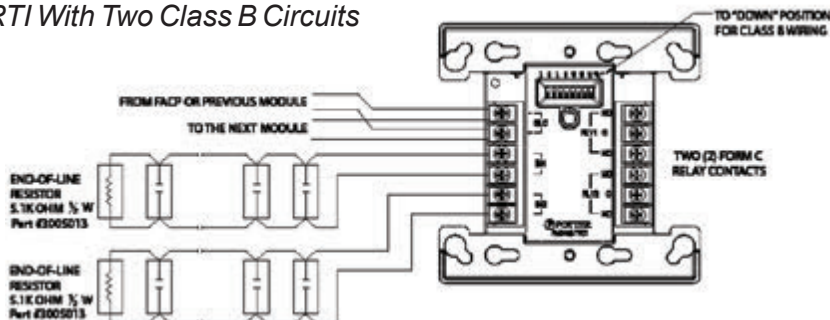
NOTE: It is possible that the internal relay in the PAD100-TRTI may be shipped in the non-normal / activated state. To ensure that the internal relay is set to the normal state, connect the module to the SLC loop and reset the control panel before terminating the wiring to the modules output.

Wiring

PAD100-TRTI With One Class A Circuit



PAD100-TRTI With Two Class B Circuits



Ordering Information

Model Number	Description	P/N
PAD100-TRTI	Two Relay Two Input Module	97665

Note: Approvals/Listings maintained by and manufactured by Potter Electric Signal Company.

The seller makes no warranties, express or implied, including, but not limited to, the implied warranties of merchantability and fitness for a particular purpose, except as expressly stated in the seller's sales contract or sales acknowledgment form. Every attempt is made to keep our product information up-to-date and accurate. All specific applications cannot be covered, nor can all requirements be anticipated. All specifications are subject to change without notice.



1102 Rupcich Drive
 Millennium Park
 Crown Point, IN 46307
 TEL: (219) 663-1600 FAX: (219) 663-4562
 e-mail: info@janusfiresystems.com
 www.janusfiresystems.com