



LED-16

LED ANNUNCIATOR



P/N 97644

Features

- Capable of displaying alarms, supervisory, trouble status for 16 zones
- System Silence and Reset buttons
- Common LEDs for status indication
- Maximum 31 LED-16s for JFS-A2 and JFS-IP4000
- Maximum 10 LED-16s for JFS-A1, JFS-IP60, and JFS-IP127
- Maximum P-Link wire length of 6,500 feet

Specifications

P-Link Current (24 VDC):

- 25 mA (Alarm)
- 25 mA (Standby)

LED PWR Current (16 VDC – 33 VDC):

- 15 mA (maximum Standby)
- 210 mA (maximum Alarm)

Note: LED PWR can be provided by any fire listed source. Output power must be 16 VDC–33 VDC and must be power limited.

Description

The LED-16 is a LED remote annunciator for the JFS-A Series and JFS-IP Series addressable fire control panels. The LED-16 communicates using a RS-485 connection to the main panel providing zone specific indication of Alarm, Supervisory, Trouble conditions.

The LED-16 features 2 slide-in labels allowing each of the 16 zones to be customized for any application. It can be mounted on a single gang electrical box or a four-square electrical box. The annunciator utilizes a sheet metal enclosure secured with a lock.

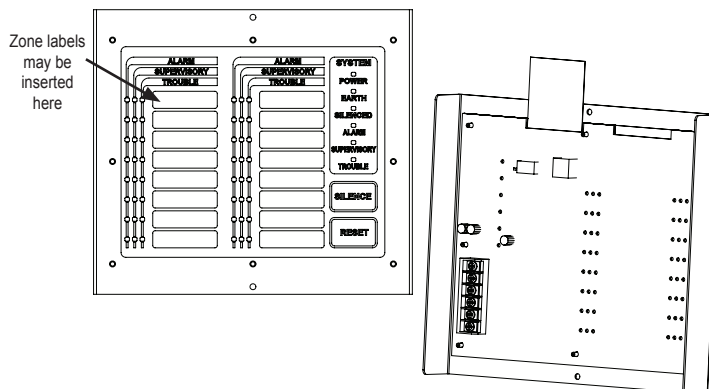
Installation

The LED-16 is connected to the fire alarm control panel using a four wire RS-485 connection. The connection is power limited and supervised. Up to 31 LED-16 LED annunciators can be connected on the JFS-A Series and JFS-IP Series panels.

NOTICE

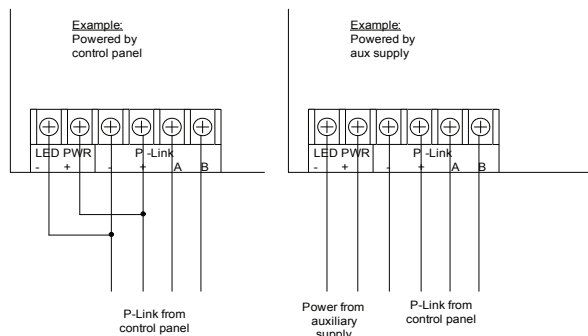
Install in accordance with compatible installation manual.

LED-16 Module Showing Front Cover & Board





Wiring LED-16 to Control Panel or Auxiliary Power Examples



Ordering Information		
Model Number	Description	P/N
LED-16	16 Zone LED Annunciator	97644

Note: Approvals/Listings maintained by and manufactured by Potter Electric Signal Company.

The seller makes no warranties, express or implied, including, but not limited to, the implied warranties of merchantability and fitness for a particular purpose, except as expressly stated in the seller's sales contract or sales acknowledgment form. Every attempt is made to keep our product information up-to-date and accurate. All specific applications cannot be covered, nor can all requirements be anticipated. All specifications are subject to change without notice.



1102 Rucpich Drive
 Millennium Park
 Crown Point, IN 46307
 TEL: (219) 663-1600 FAX: (219) 663-4562
 e-mail: info@janusfiresystems.com
www.janusfiresystems.com