



# LED-16F

## 16 ZONE LED ANNUNCIATOR FLUSH MOUNT



P/N 97645

### Features

- Capable of displaying alarms, supervisory, trouble status for 16 zones
- System Silence and Reset buttons
- Common LEDs for status indication
- Maximum 31 LED-16s for JFS-A2 and JFS-IP4000.
- Maximum 10 LED-16s for JFS-A1, JFS-IP60, and JFS-IP127.
- Maximum P-Link wire length of 6,500 feet
- Available in four colors

### Description

The LED-16F is a LED remote annunciator for the JFS-A Series, and JFS-IP series addressable fire control panels. The LED-16F communicates using a RS-485 connection to the main panel providing zone specific indication of Alarm, Supervisory, Trouble conditions.

The LED-16F features 2 slide-in labels allowing each of the 16 zones to be customized for any application. It can be flush mounted or surface mounted. It can be mounted on a single gang electrical box or a foursquare electrical box. The annunciator utilizes a sheet metal enclosure secured with a Potter lock.

| Specifications              |                           |
|-----------------------------|---------------------------|
| Standby Current             | 20 mA                     |
| Alarm Current               | 25 mA                     |
| Operating Temperature       | 0°C-49°C (32°F-120°F)     |
| Operating Humidity Range    | 0 to 93% (non-condensing) |
| Maximum Wire Length         | 6500 ft.                  |
| Maximum Annunciators        | 31                        |
| Flush Mount Size (WxHxD)    | 11 3/8" x 9-1/4" x 7/8"   |
| Surface Mount Size (Wx-HxD) | 11 3/8" x 9-1/4" x 3 1/8" |
| Wire Gauge                  | 12 AWG-22 AWG             |

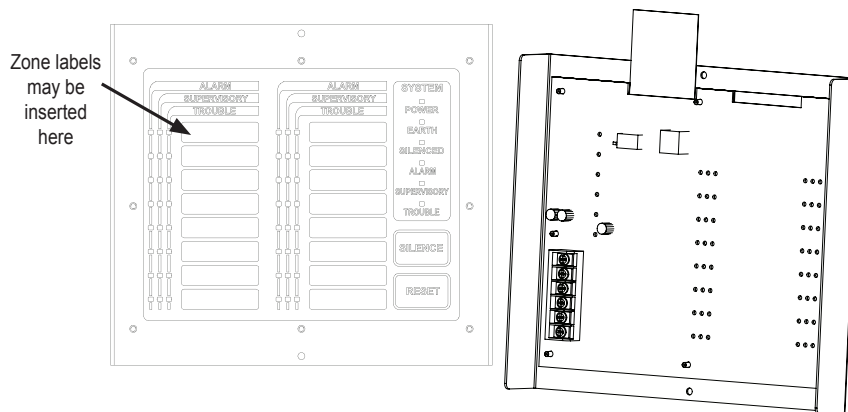
**NOTE:** LED PWR can be provided by any fire listed source. Output power must be 16 VDC–33 VDC and must be power limited.



## Installation

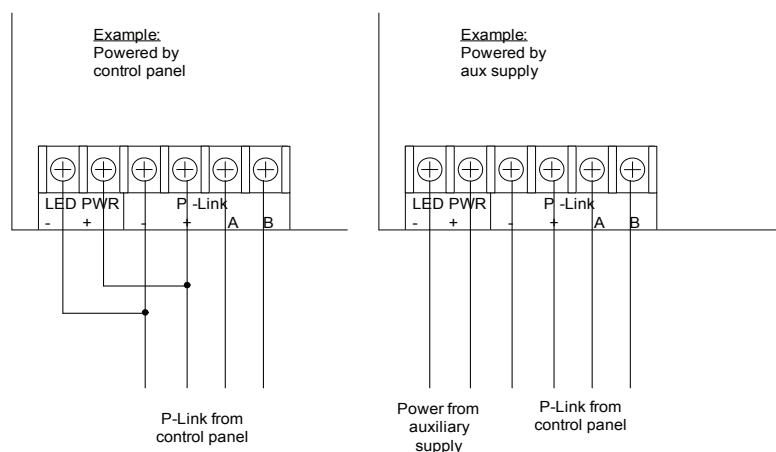
The LED-16F is connected to the fire alarm control panel using a four wire RS-485 connection. The connection is power limited and supervised. Up to 31 LED-16F LED annunciators can be connected on JFS-A Series, and JFS-IP series panels.

### LED-16F Module Showing Front Cover and Board



## Wiring

### Wiring LED-16F to Control Panel or Auxiliary Power Example



## Ordering Information

| Model Number | Description                 | P/N   |
|--------------|-----------------------------|-------|
| LED-16F      | LED Annunciator Flush Mount | 97645 |

Note: Approvals/Listings maintained by and manufactured by Potter Electric Signal Company.

The seller makes no warranties, express or implied, including, but not limited to, the implied warranties of merchantability and fitness for a particular purpose, except as expressly stated in the seller's sales contract or sales acknowledgment form. Every attempt is made to keep our product information up-to-date and accurate. All specific applications cannot be covered, nor can all requirements be anticipated. All specifications are subject to change without notice.



1102 Rupcich Drive  
 Millennium Park  
 Crown Point, IN 46307  
 TEL: (219) 663-1600 FAX: (219) 663-4562  
 e-mail: info@janusfiresystems.com  
 www.janusfiresystems.com