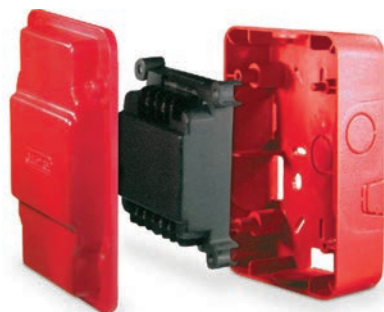




# AVSM-R

## SYNC MODULE



P/N 98377

### Features

- Operates with S-24, HS-24, CS, and CHS series.
- Synchronize horn and strobe with the use of only two wires.
- No limit to the number of modules that can be synchronized together.
- Module is rated for 3 amps continuous current and 5 amps surge or inrush current.
- Synchronizes to 1Hz flash rate.
- Operates 1 class 'A' circuit or 2 class 'B' circuits at 3 amps per circuit.
- Dual synchronization module ONLY when using 2 class 'B' circuits.
- A green LED status indicator to signal operation of module.
- Option to silence the horn while strobes continue to flash when using temporal 3 mode.

Module Dimensions: 3.85" (9.78 cm) H x 3.82" (9.70 cm) W x 1.32" (3.35 cm) D

Box Dimensions: 5.57" (14.15 cm) H x 4.55" (11.56 cm) W x 2.39" (6.07 cm) D

### Description

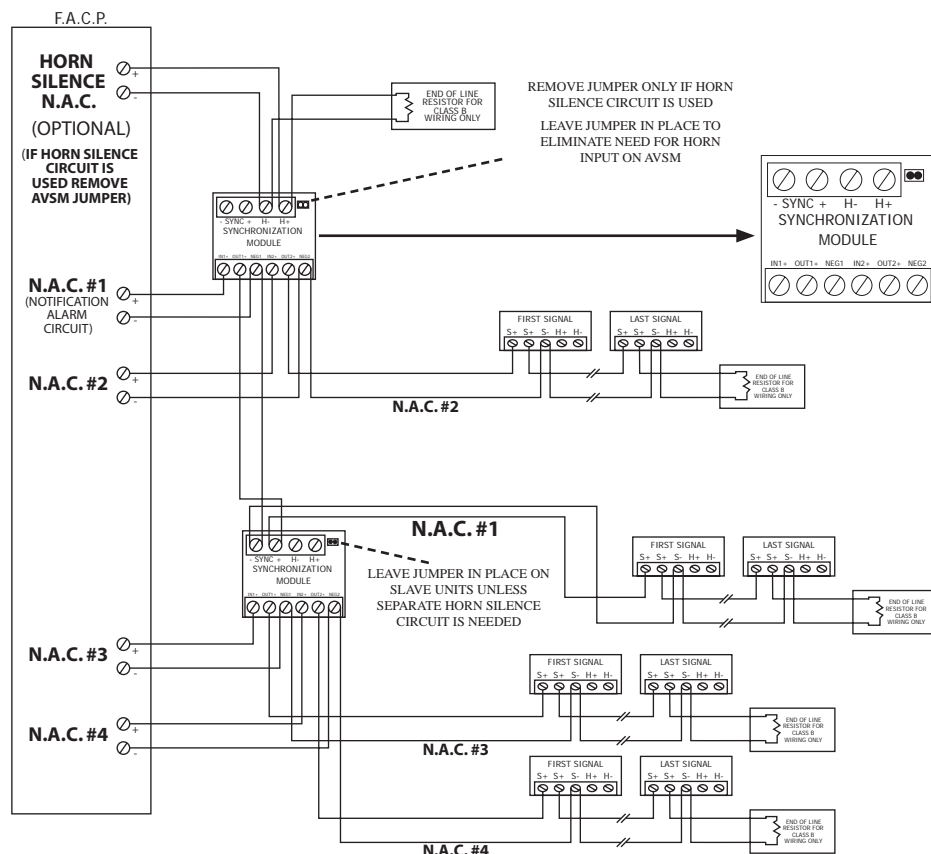
The AVSM synchronization control module is designed to provide an easy way to synchronize multiple horns, strobes, and horns/strobes using only two wires in instances where a synchronized flash is required. When synchronizing multiple horns and horn/strobes there is the ability to silence the horn while allowing the strobes to continue to flash.

Incorporating the control module as shown in the following diagrams, the control module will control the power to the signaling device to produce synchronized operation.

The AVSM module is shipped with a back box and cover plate. A green LED status indicator will flash once every four seconds if zone 1 is operational. The LED will flash twice every four seconds if zones 1 and 2 are operational. Strobes should not be used on coded or pulsing signaling circuits.



## Wiring for Multiple CLASS B Circuit and Use of a Slave Module



### NOTES:

- CROSSING LINES DO NOT INDICATE CONNECTIONS
- The incoming positive power lead must be broken and each lead is to be inserted into each of the top two terminals. If two power runs are made to the signal, one for the strobe and one for the horn, only one of the runs must have its positive lead broken and placed under the two separate top terminals. A barrier is provided to prevent both leads from being placed under the same terminal.
- The AVSM module is listed per ANSI/UL 1971 with a voltage range of 8-33VDC/FWR. The AVSM module was tested to the stated voltage range(s); do not apply 80% and 110% of this range for system operation. It is for indoor use only, with a temperature range of 0°C - 49°C (32°F - 120°F) and a maximum humidity of 93% humidity.
- CAUTION: The AVSM module is to be connected only to circuits that provide continuously applied voltage. Do not use this module on coded or interrupted circuits in which the voltage is cycled on and off.
- A steady DC power is to be applied, without any other protocol (including temporal 3).

### Wiring for synchronized strobes and horns

Using this method you may:

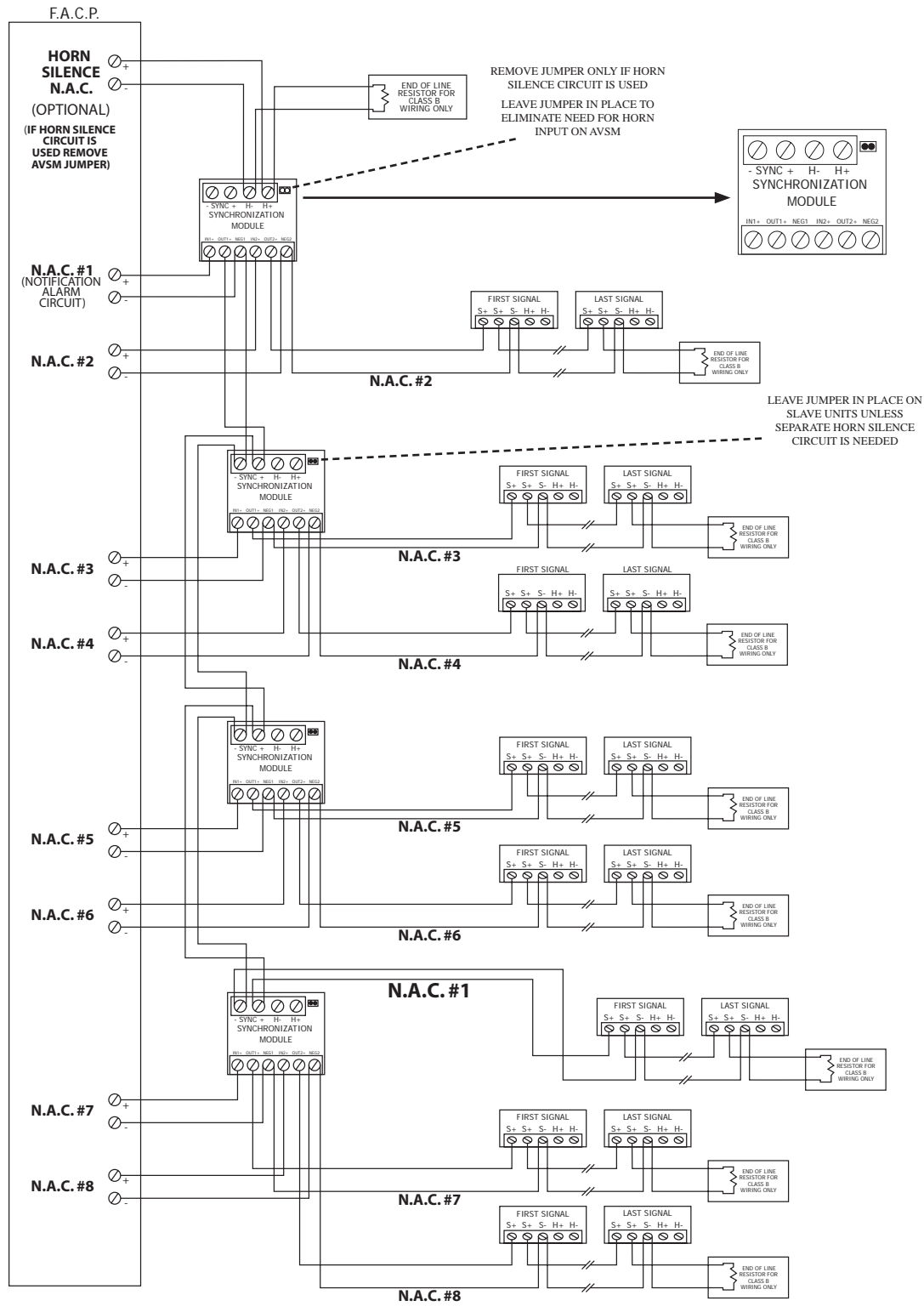
- Use only two wires to synchronize the temporal horn and strobe with the ability to mute the horn
- Mute the horn only when the temporal horn option has been selected.
- Use the Gentex synchronization protocol to provide synchronization and mute the horn, if available.

### Wiring for synchronized parallel (unison) horn/strobe operation

Using this method you may:

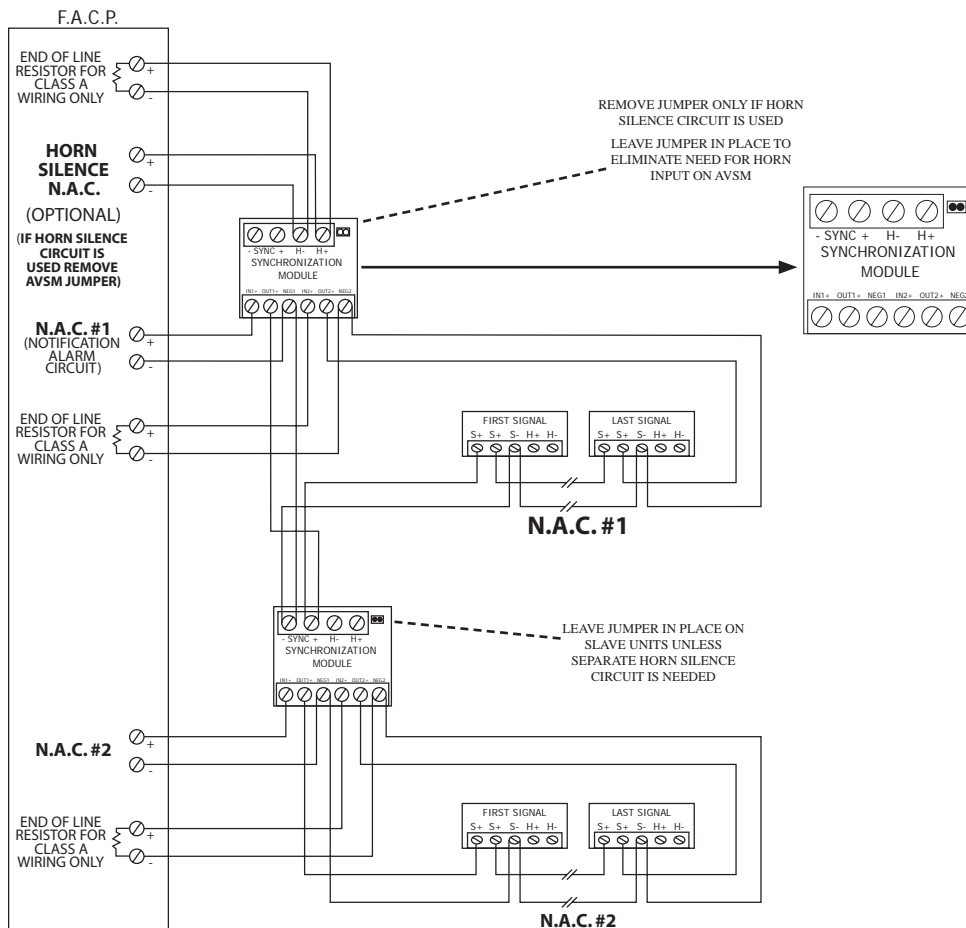
- Use four wires where two wires are used to power and synchronize the strobe and two additional wires are used to power and synchronize the horn
- Choose either continuous horn and allow the FACP to control the horn or choose temporal horn and synchronize the horns with the Gentex synchronization protocol.
- Use the Gentex synchronization protocol to provide synchronization and mute the horn, if available.

## Wiring for Multiple CLASS B Circuit and Use of Multiple Slave Modules





## Wiring for Multiple CLASS A Circuits and Use of a Slave Module



### NOTES:

- CROSSING LINES DO NOT INDICATE CONNECTIONS
- The incoming positive power lead must be broken and each lead is to be inserted into each of the top two terminals. If two power runs are made to the signal, one for the strobe and one for the horn, only one of the runs must have its positive lead broken and placed under the two separate top terminals. A barrier is provided to prevent both leads from being placed under the same terminal.
- The AVSM module is listed per ANSI/UL 1971 with a voltage range of 8-33VDC/FWR. The AVSM module was tested to the stated voltage range(s); do not apply 80% and 110% of this range for system operation. It is for indoor use only, with a temperature range of 0°C - 49°C (32°F - 120°F) and a maximum humidity of 93% humidity.
- CAUTION: The AVSM module is to be connected only to circuits that provide continuously applied voltage. Do not use this module on coded or interrupted circuits in which the voltage is cycled on and off.
- A steady DC power is to be applied, without any other protocol (including temporal 3).

### Wiring for synchronized strobes and horns

Using this method you may:

- Use only two wires to synchronize the temporal horn and strobe with the ability to mute the horn
- Mute the horn only when the temporal horn option has been selected.
- Use the Gentex synchronization protocol to provide synchronization and mute the horn, if available.

(CONTINUED NEXT PAGE)



### Wiring for synchronized parallel (unison) horn/strobe operation

Using this method you may:

- Use four wires where two wires are used to power and synchronize the strobe and two additional wires are used to power and synchronize the horn
- Choose either continuous horn and allow the FACP to control the horn or choose temporal horn and synchronize the horns with the Gentex synchronization protocol.
- Use the Gentex synchronization protocol to provide synchronization and mute the horn, if available.

AVSM Series Product Current Draw	
Product	AVSM
12 VDC	27 mA
12 VDC UL Max <sup>1</sup>	31 mA
24 VDC	37 mA
24 VDC UL Max <sup>1</sup>	45 mA

RMS current ratings are per UL average RMS method. UL max current rating is the maximum RMS current within the listed voltage range (16-33 VDC for 24 VDC units) (8-17 VDC for 12 VDC units). For strobes the UL max current is usually at the minimum listed voltage (16 VDC for 24 VDC units) (8 VDC for 12 VDC units). For audibles, the max current is usually at the maximum listed voltage. For unfiltered FWR ratings, see installation manual.

**JANUS**  
FIRE SYSTEMS®



**Ordering Information**

Model Number	Description	P/N
AVSM-R	Sync Module	98377

*Note: Approvals/Listings maintained by and manufactured by Potter Electric Signal Company.*

The seller makes no warranties, express or implied, including, but not limited to, the implied warranties of merchantability and fitness for a particular purpose, except as expressly stated in the seller's sales contract or sales acknowledgment form. Every attempt is made to keep our product information up-to-date and accurate. All specific applications cannot be covered, nor can all requirements be anticipated. All specifications are subject to change without notice.



1102 Rucpich Drive  
Millennium Park  
Crown Point, IN 46307  
TEL: (219) 663-1600 FAX: (219) 663-4562  
e-mail: [info@janusfiresystems.com](mailto:info@janusfiresystems.com)  
[www.janusfiresystems.com](http://www.janusfiresystems.com)