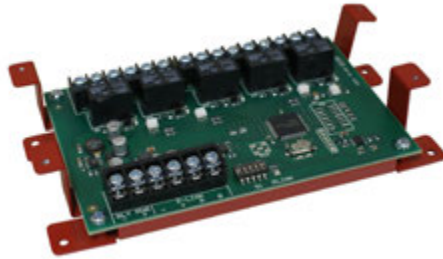




RLY-5

RELAY EXPANDER



P/N 98526

Features

- Mounts with included stacker bracket
- May mount in panel, accessory cabinet, AE-8 or AE-14 Accessory Cabinets or the JFS-PS1000(E) Intelligent Power Supply
- Provides 5 user configurable relays
- Contact Rating of 24VDC / 3.0A, 125 VAC / 3.0A (resistive)
- Maximum 31 RLY-5s per panel
- Maximum P-Link wire length of 6,500 feet.
- For JFS-IP Series and JFS-A Series

Electrical Specs

P-Link Current (24 VDC):

- 35 mA (Alarm)
- 25 mA (Standby)

RLY PWR Current (16 VDC - 33 VDC):

- 135 mA (Alarm)
- 10 mA (Standby)

Note: RLY PWR can be provided by any fire listed source. Output power must be 16 VDC–33 VDC, and must be power limited.

Description

The RLY-5 is a relay expander for the JFS-IP Series and JFS-A Series addressable control panels. The RLY-5 communicates with the control panel via the P-Link communication bus providing 5 user configurable relay outputs. The relay board is mounted in either the control panel cabinet, the JFS-PS1000(E) Intelligent Power Supply cabinet, or the AE-8 or AE-14 expander cabinet. Each card is mounted to the exclusive Stacker Bracket for secure and accessible mounting.

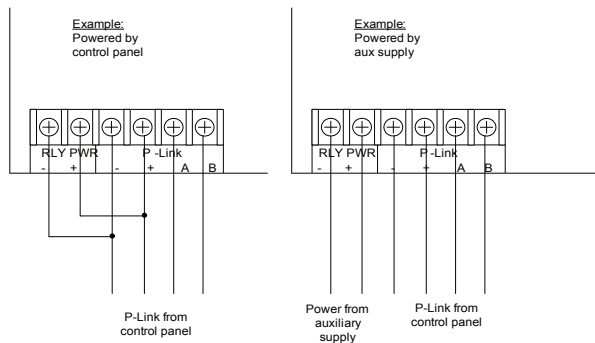
Installation

The RLY-5 is connected to the JFS-IP Series and JFS-A Series panels using a four wire RS-485 connection. This connection is power limited and supervised. The RLY-5 can be installed in the JFS-PS1000(E) Intelligent Power Supply, the AE-8 Accessory Enclosure, AE-14 Accessory Enclosure, or inside the large JFS-IP Series and JFS-A Series enclosure using the supplied bracket.

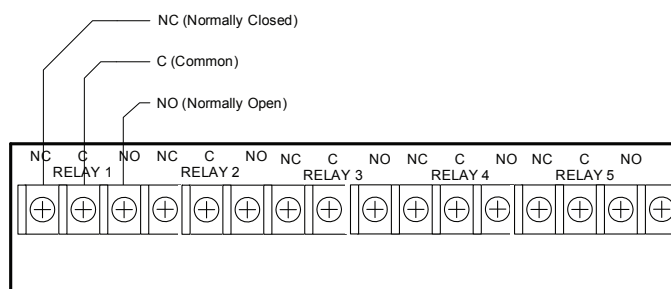
Note: All connections to relay contacts shall be power limited.



RLY-5 Wiring to Control Panel or Auxiliary Power Supply Examples



RLY-5 Normally Open and Normally Closed Contacts



Ordering Information		
Model Number	Description	P/N
RLY-5	Expander, Relay	98526
AE-8	Cabinet, Expander, AE-8	98622
AE-14	Cabinet, Expander, AE-14	98621

Note: Approvals/Listings maintained by and manufactured by Potter Electric Signal Company.

The seller makes no warranties, express or implied, including, but not limited to, the implied warranties of merchantability and fitness for a particular purpose, except as expressly stated in the seller's sales contract or sales acknowledgment form. Every attempt is made to keep our product information up-to-date and accurate. All specific applications cannot be covered, nor can all requirements be anticipated. All specifications are subject to change without notice.



1102 Rupcich Drive
 Millennium Park
 Crown Point, IN 46307
 TEL: (219) 663-1600 FAX: (219) 663-4562
 e-mail: info@janusfiresystems.com
www.janusfiresystems.com