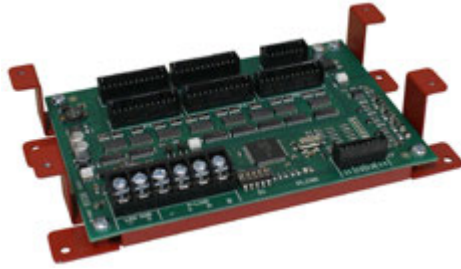




DRV-50

LED DRIVER MODULE



P/N 98529

Description

The DRV-50 is a LED driver module for the JFS-IP Series and JFS-A Series addressable fire control panels. The DRV-50 communicates using a RS-485 connection to the panel providing 50 user configurable LED outputs and 4 supervised dry contact inputs. The LED Driver is mounted in either the control panel cabinet, the JFS-PS1000(E) intelligent power supply cabinet, the AE-8, or the AE-14 expander cabinet. Each card is mounted to the exclusive Stacker Bracket for secure and accessible mounting.

Features

- Provides 50 user configurable LED outputs
- Provides 6 system LED outputs (Power, Earth Fault, Silenced, Alarm, Supervisory, and Trouble)
- Provides Audible/PZT and 4 supervised dry contact inputs
- LED outputs internally current limited, no external resistor required
- May mount with included stacker bracket, or in the panel or JFS-PS1000(E) Power Supply, or AE-8 or AE-14 Accessory Cabinets
- Maximum 31 DRV-50s for JFS-IP4000, JFS-A2
- Maximum 10 DRV-50s for JFS-IP60, JFS-IP127, JFS-A1
- Maximum P-Link wire length is 6,500 feet

Electrical Specs

P-Link Current (24 VDC):

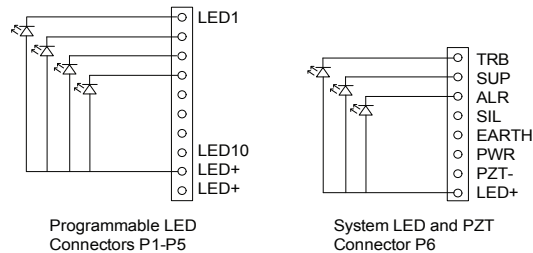
- 25 mA Alarm current
- 25 mA Standby current

LED PWR Current (16 VDC - 33 VDC):

- 10 mA (maximum Standby)
- 215 mA (maximum Alarm)

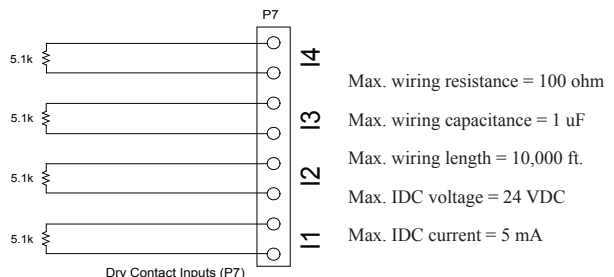
Note: LED PWR can be provided by any fire listed source. Output power must be 16 VDC–33 VDC, and must be power limited.

DRV-50 P1-P5 & P6 Connectors Example



Note: All connections to P1-P6 are limited to same room installations.

DRV-50 P7 Connector Dry Contact Inputs Example



Note: All contact inputs are fully supervised. Ground fault protection impedance is 0 ohms.

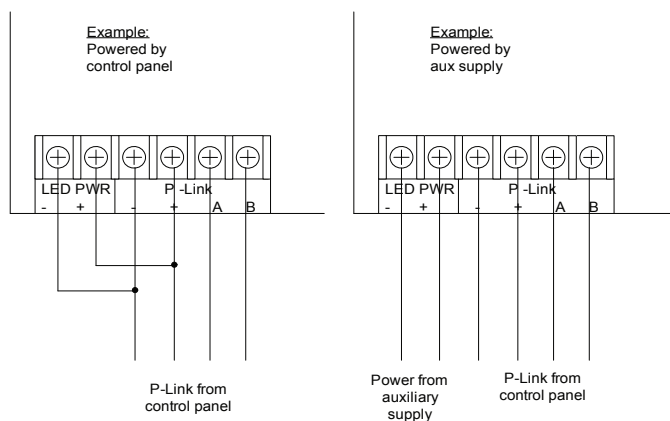


Installation

The DRV-50 is connected to the JFS-IP Series and JFS-A Series panels using a four wire RS-485 connection. This connection is power limited and supervised. The 50 programmable LED outputs are located on connectors P1-P5, each containing 10 LED outputs and 2 5VDC outputs. The system LEDs and PZT control outputs are located on connector P6. The 4 programmable dry-contact inputs are located on connector P7. All input circuits are power limited and use a UL Listed 5.1k EOL resistor (P/N 99950). All outputs are power limited.

The DRV-50 can be installed in the AE-2, AE-8, and AE-14 Accessory Enclosures. The DRV-50 can also be installed inside the JFS-PS1000(E) Intelligent Power Supply and larger control panel enclosures that include space for mounting stacker bracket modules.

DRV-50 LED Wiring Examples



Ordering Information		
Model Number	Description	P/N
DRV-50	Module, LED Driver	98529
AE-8	Cabinet, Expander, AE-8	98622
AE-14	Cabinet, Expander, AE-14	98621
N/A	Resistor, EOL, 5.1K	99950

Note: Approvals/Listings maintained by and manufactured by Potter Electric Signal Company.

The seller makes no warranties, express or implied, including, but not limited to, the implied warranties of merchantability and fitness for a particular purpose, except as expressly stated in the seller's sales contract or sales acknowledgment form. Every attempt is made to keep our product information up-to-date and accurate. All specific applications cannot be covered, nor can all requirements be anticipated. All specifications are subject to change without notice.



1102 Rucpich Drive
 Millennium Park
 Crown Point, IN 46307
 TEL: (219) 663-1600 FAX: (219) 663-4562
 e-mail: info@janusfiresystems.com
 www.janusfiresystems.com