



CA-6500

CLASS A EXPANDER MODULE



Features

- Standby Current: 60 mA
- Alarm Current: 100 mA
- Ambient Operating Temperature: 32°F-120°F (0°C-49°C) 10%-93% @ 86°F (30°C) non-condensing humidity
- Maximum CA-6500 Expanders: 1
- Provides Class A connection for NACs, P-Link and SLC
- Size (WxHxD): 10-1/4" x 1-1/8" x 5-1/8"
- For JFS-IP4000 and JFS-A2



P/N 98730

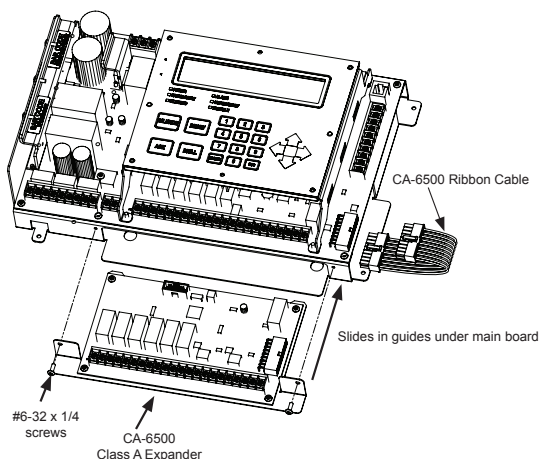
Description

The CA-6500 Class A expander allows six notification circuits, two P-Link circuits and the built-in SLC circuit to be wired for Class A operation. Class A operation can be independently for the P-Link and SLC circuits using the Panel Programming Software.

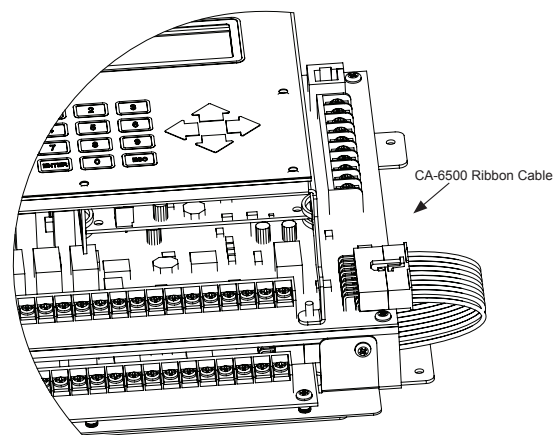
Installation

The CA-6500 is installed directly in the addressable control panel enclosure using the supplied cable assembly and hardware.

1. Power the system down
2. Slide the CA-6500 Class A expander into the opening on the bottom of the control panel chassis. The tabs on the back of the CA-6500 Class A expander must slide into the slots located in the control panel chassis.
3. Secure the CA-6500 Class A expander using two #6-32 x 3/8" screws.
4. Plug the 2 x 9 cable assembly into the CA-6500 and control panel.



Installing and Wiring a Class A Expander Card



Installation Showing the CA-6500 Ribbon Connection



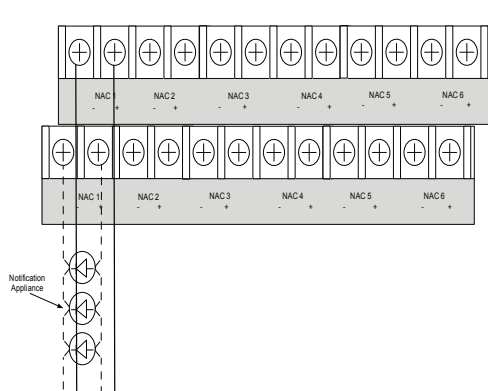
CA-6500 Class A Expander Installation

The Class A configuration requires the use of the CA-6500. Once the card is installed, the additional terminals are provided for the return loop of the NAC. The CA-6500 provides the terminals for NACs, SLCs, and P-Link.

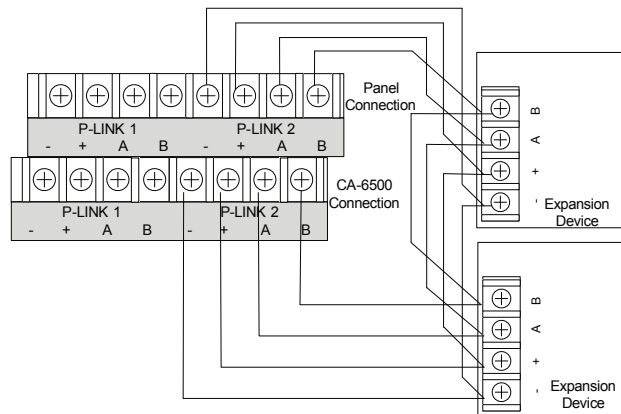
Refer to the figures below for examples of installing and wiring a Class A expander card.

Notes:

1. One (1) CA-6500 Class A expander may be installed per panel.
2. The CA-6500 provides the terminals for NACs, P-Link, and SLCs.



Example of Wiring a Class A Expander Card



Example of P-Link Class A Wiring Requiring a CA-6500

Ordering Information

Model Number	Description	P/N
CA-6500	Module, Class A Expander, CA-6500	98730

Note: Approvals/Listings maintained by and manufactured by Potter Electric Signal Company.

The seller makes no warranties, express or implied, including, but not limited to, the implied warranties of merchantability and fitness for a particular purpose, except as expressly stated in the seller's sales contract or sales acknowledgment form. Every attempt is made to keep our product information up-to-date and accurate. All specific applications cannot be covered, nor can all requirements be anticipated. All specifications are subject to change without notice.



1102 Rucpich Drive
 Millennium Park
 Crown Point, IN 46307
 TEL: (219) 663-1600 FAX: (219) 663-4562
 e-mail: info@janusfiresystems.com
www.janusfiresystems.com