



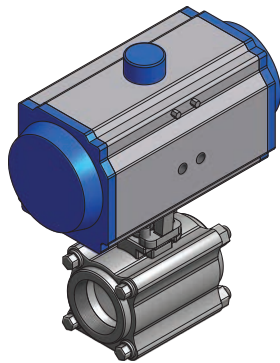
CLEAN AGENT, CO₂

MASTER/SELECTOR VALVES



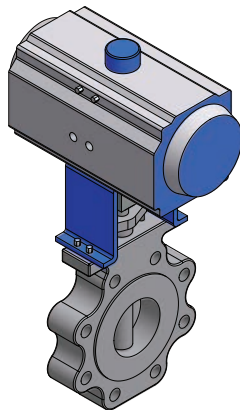
The Janus Fire Systems® line of Master/Selector Valves offers a wide assortment of size, valve style, and material options to make them suitable for a variety of uses in Janus Fire Systems® Low-Pressure and High-Pressure Carbon Dioxide (CO₂) Fire Extinguishing Systems and Clean Agent Fire Extinguishing Systems utilizing FM-200® or 3M™ Novec™ 1230 Fire Protection Fluid.

VALVE TYPES



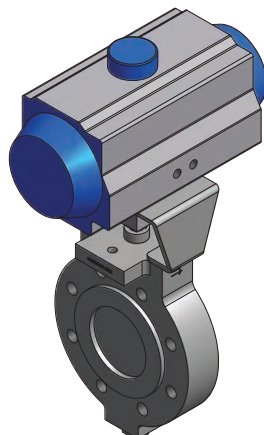
Pneumatically Actuated Ball Valve

Janus Fire Systems® pneumatically actuated ball valves have ANSI Class 600 pressure ratings suitable for use as master/selector valves in clean agent and high-pressure or low-pressure carbon dioxide systems. They have a stainless steel ball and stem with either a coated carbon steel or stainless steel body as specified. The valves have Xtreme fluoropolymer-based blend seats with TFM and graphite seals. Available valve sizes are 1/2 in (15 mm), 3/4 in (20 mm), 1 in (25 mm), 1-1/2 in (40 mm), or 2 in (50 mm). Each valve may be fitted with an optional solenoid and/or position indicator switch.



Pneumatically Actuated Wafer Valve 830 Series

The 830 Series of the Janus Fire Systems® pneumatically actuated wafer valves have ANSI Class 300 pressure ratings suitable for use as master/selector valves in clean agent and low-pressure carbon dioxide systems. The 830 Series has a stainless steel disc with either a coated carbon steel or stainless steel body as specified. 830 Series valves have Xtreme fluoropolymer-based blend seats with carbon filled enhanced PTFE seals. Available valve sizes are 3 in (80 mm), 4 in (100 mm), 6 in (150 mm), or 8 in (200 mm). Each valve may be fitted with an optional solenoid and/or position indicator switch.

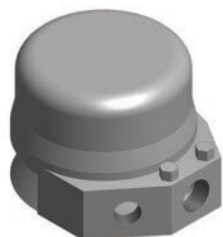
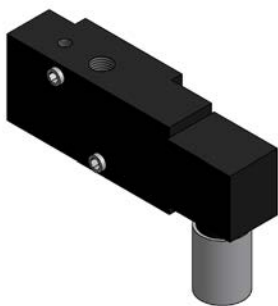


Pneumatically Actuated Wafer Valve 860 Series

The 860 Series of the Janus Fire Systems® pneumatically actuated wafer valves have ANSI Class 600 pressure ratings suitable for use as master/selector valves in high-pressure carbon dioxide systems. The 860 Series has a stainless steel disc with either a coated carbon steel or stainless steel body as specified. 860 Series valves have Xtreme fluoropolymer-based blend seats with carbon filled enhanced PTFE seals. Available 860 Series valve size is 3 in (80 mm). Each valve may be fitted with an optional solenoid and/or position indicator switch.



VALVE OPTIONS



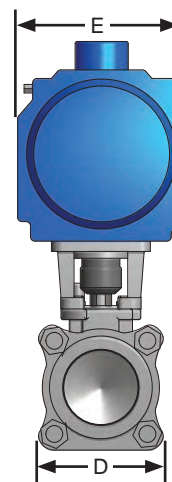
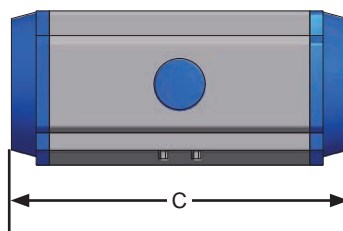
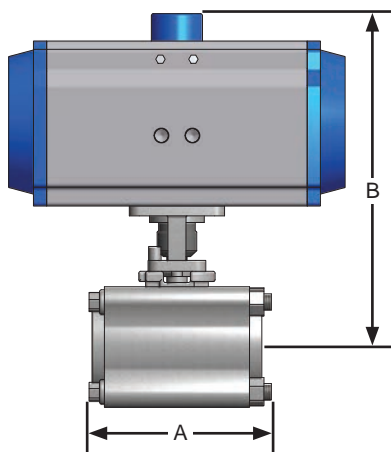
Solenoid

An optional solenoid may be fitted to the pneumatically actuated valves to allow electrical valve actuation. The solenoid has a NEMA 4 and 4X enclosure with a 1/4 in (8 mm) inlet and 1/8 in (6 mm) exhaust. The solenoid has a standard voltage of 24 VDC or optional voltage of 120 VAC 60 Hz (110/50), 240 VAC 60 Hz, 12 VDC. It consumes 6.9 watts AC and 6.3 watts DC. An explosion-proof model is also available with the enclosure ratings: NEMA 4, 4X, 5P, 6, 7, 9, and explosion-proof ratings Class I, Div. 1 (Groups A,B,C,D) and Class II, Div. 1 Type 9 (Groups E,F,G).

Position Indicator Switch

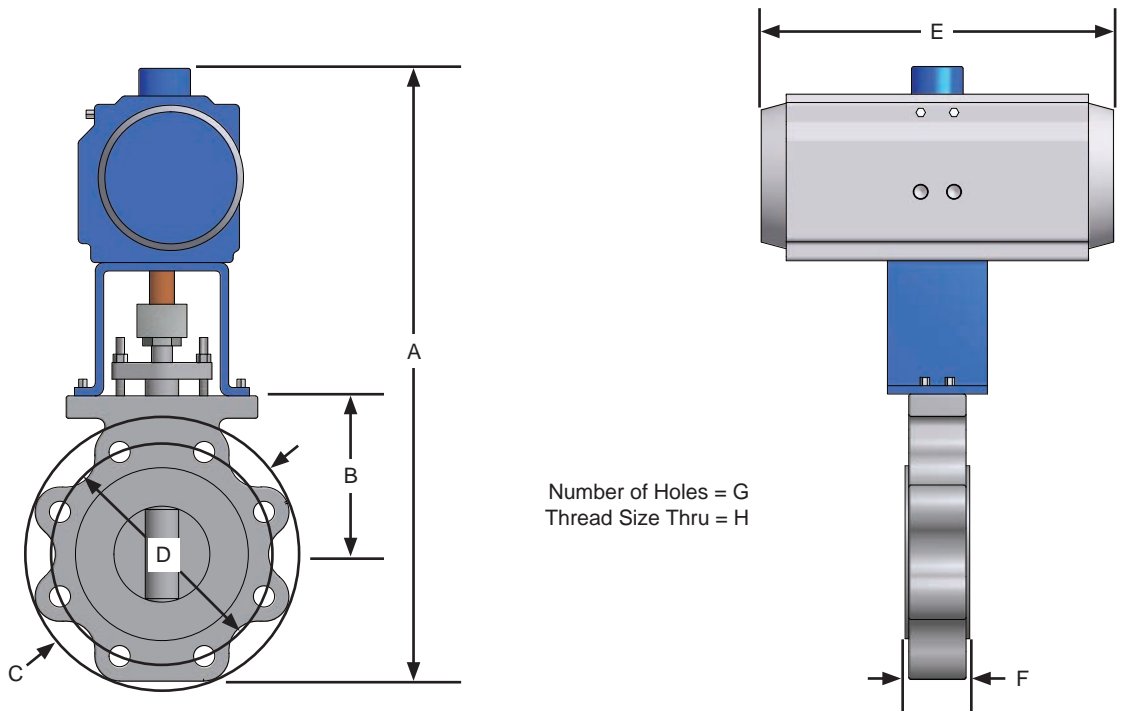
An optional explosion-proof/weatherproof position indicator switch may be mounted on the top of the pneumatic valve actuator to provide visual and/or electronic confirmation of whether the valve is in open or closed position. It has a green "open" indicator and a red "closed" indicator. The switch has a NEMA 4, 4x, and 6 enclosure with one (1) 3/4 in (20 mm) NPT and one (1) 1/2 in (15 mm) conduit connection. The switch is double pull double throw with contacts rated 10 Amps at 125/250 VAC and 0.5 Amp at 125 VDC. The explosion-proof ratings are Class I, Division 1 and 2 (Groups B,C,D), Class II, Division 1 and 2 (Groups E,F,G).

DIMENSIONS



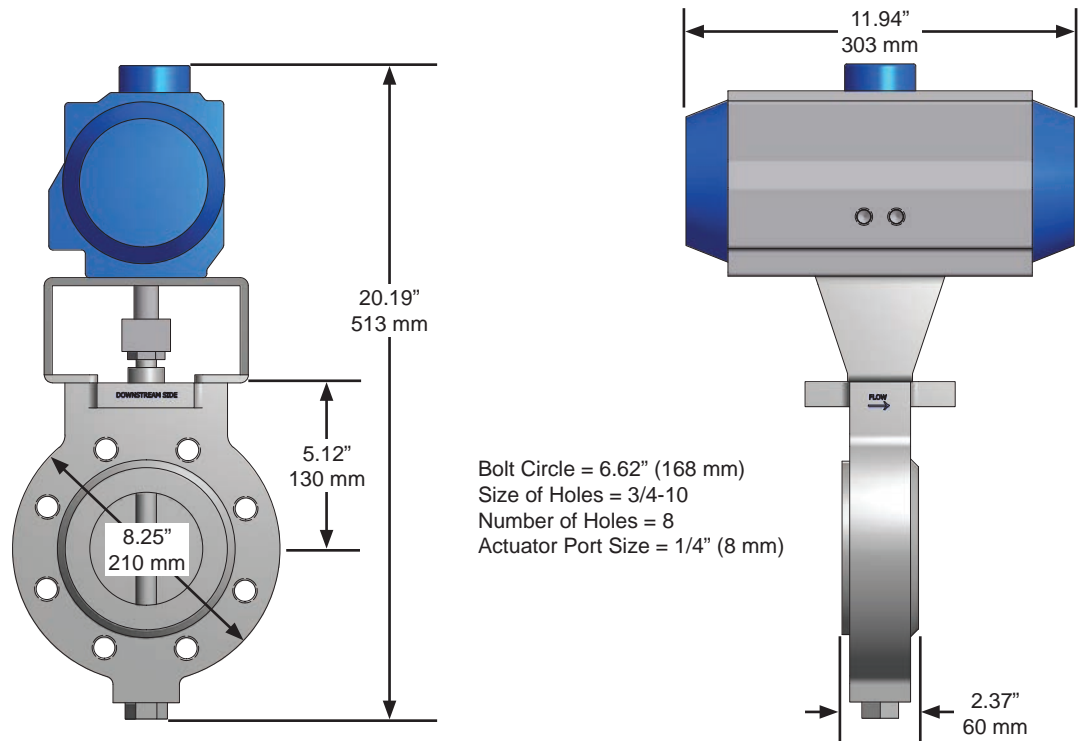
Pneumatically Actuated Ball Valve

Valve Size		Port Size		Dimensions									
				A		B		C		D		E	
in	mm	in	mm	in	mm	in	mm	in	mm	in	mm	in	mm
1/2	15	1/8	6	2.56	65	6.00	152	5.38	137	2.06	52	2.81	71
3/4	20	1/8	6	3.00	76	6.94	176	6.06	154	2.25	57	3.31	84
1	25	1/8	6	3.69	94	7.06	179	6.06	154	2.63	67	3.31	84
1-1/2	40	1/8	6	4.56	116	9.56	243	9.50	241	3.31	84	4.06	103
2	50	1/4	8	5.13	130	10.19	259	10.19	259	3.69	94	4.69	119



Series 830 Pneumatically Actuated Wafer Valve

Valve Size		Port Size		Dimensions													
				A		B		C		D		E		F		G	H
in	mm	in	mm	in	mm	in	mm	in	mm	in	mm	in	mm	in	mm		
3	80	1/4	8	18.38	467	4.69	119	8.13	207	6.63	168	10.20	259	1.94	49	8	3/4-10
4	100	1/4	8	23.13	587	5.25	133	9.31	236	7.88	200	13.11	333	2.13	54	8	3/4-10
6	150	1/4	8	27.75	705	6.88	175	12.13	308	10.63	270	16.63	422	2.31	59	12	3/4-10
8	200	1/4	8	34.13	867	8.38	213	15.00	381	13.00	330	20.79	528	2.88	73	12	7/8-9



3" (80 mm) Series 860 Pneumatically Actuated Wafer Valve

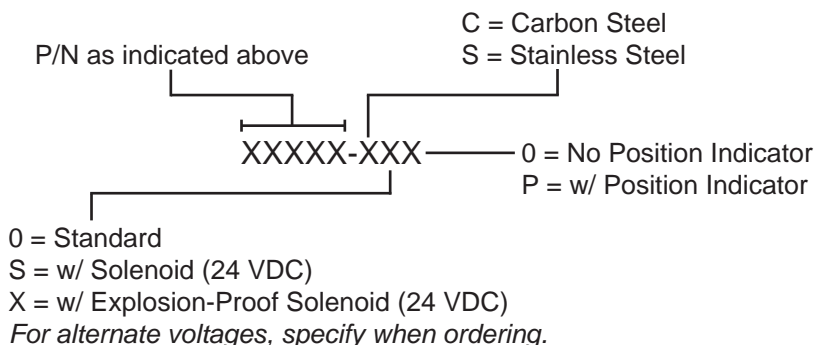


Ordering Information

P/N	Valve Size	Description (see below for options)	Nominal Weight lb (kg)
19483	1/2"	Ball Valve, Pneumatically Actuated	4.2 (1.9)
19484	3/4"	Ball Valve, Pneumatically Actuated	6.5 (2.9)
19485	1"	Ball Valve, Pneumatically Actuated	8.6 (3.9)
19486	1-1/2"	Ball Valve, Pneumatically Actuated	19.5 (8.8)
19487	2"	Ball Valve, Pneumatically Actuated	27.0 (12.3)
19488	3"	Wafer Valve, 830 Series, Pneumatically Actuated	34.3 (15.5)
19489	4"	Wafer Valve, 830 Series, Pneumatically Actuated	56.8 (26.0)
19490	6"	Wafer Valve, 830 Series, Pneumatically Actuated	105.0 (48.0)
19491	8"	Wafer Valve, 830 Series, Pneumatically Actuated	191.0 (87.0)
19492	3"	Wafer Valve, 860 Series, Pneumatically Actuated	47.3 (21.5)

NOTE: UL Listing/FM Approval varies for type of agent used. Refer to DOC108 for models listed/approved for Novec 1230 Fluid. Refer to DOC102 for models listed/approved for FM-200®. Refer to DOC153 for models listed for HPCO2. Refer to relevant manual for models listed for LPCO2.

Ordering Instructions: Specify the Valve P/N followed by a dash and the appropriate three digit option code as illustrated below.



Examples:

19483-C00 – 1/2" Ball Valve, Carbon Steel

19485-SS0 – 1" Ball Valve, with Solenoid (24 VDC), Stainless Steel

The seller makes no warranties, express or implied, including, but not limited to, the implied warranties of merchantability and fitness for a particular purpose, except as expressly stated in the seller's sales contract or sales acknowledgment form. Every attempt is made to keep our product information up-to-date and accurate. All specific applications cannot be covered, nor can all requirements be anticipated. All specifications are subject to change without notice.



1102 Rupcich Drive
Millennium Park
Crown Point, IN 46307
TEL: (219) 663-1600 FAX: (219) 663-4562
e-mail: info@janusfiresystems.com
www.janusfiresystems.com