



PBA-AC, PDC-DC

BELLS



P/N See Chart



* ULC on PDC-DC Models Only

Features

Low current draw, High dB output
DC models are motor driven, polarized, and have built in transient protection for supervised alarm circuits

Sizes Available: 6" (150 mm), 8" (200 mm) and 10" (250 mm)

Enclosure: Cover: Steel
Finish: Red Powder Coat
Base: Non-Corrosive Composite Material
All parts have corrosion resistant finishes

Voltages Available: 24VDC (20.4 to 31.2) Polarized
120VAC

Service Use: NFPA 13, 72, local AHJ

Environment: Indoor or outdoor use (Outdoor use requires weatherproof backbox.)
-40° to 150°F (-40° to 66°C)

Termination: AC Bells - 4 No. 18 AWG stranded wires
DC Bells - 18 AWG stranded wire

Optional: Model BBK-1 weatherproof backbox
(P/N 18865)

These vibrating type bells are designed for use as fire or general signaling devices. They have low power consumption and high decibel ratings. The unit mounts on a standard 4" (101 mm) square electrical box for indoor use or on a model BBK-1 weatherproof backbox for outdoor applications.

ALL DC BELLS ARE POLARIZED AND HAVE BUILT-IN TRANSIENT PROTECTION:

Size in (mm)	Voltage	Model Number	P/N	Current (Max.)	Typical dB at 10 ft (3m) ²	Minimum dB at 10 ft (3m) ¹
6 (150)	24VDC	PDC-624	96731	20mA	95	77
8 (200)	24VDC	PDC-824	96730	20mA	83	79
10 (250)	24VDC	PDC-1024	96729	20mA	85	80
6 (150)	120VAC ³	PBA1206	18701	.05A	92	83

Notes:

1. Minimum dB ratings are calculated from integrated sound pressure measurements made at Underwriters Laboratories as specified in UL Standard 464. UL temperature range is -30° to 150°F (-34° to 66°C).
2. Typical dB ratings are calculated from measurements made with a conventional sound level meter and are indicative of output levels in an actual installation.
3. PBA1206 AC bell does not have ULC listing.

Installation

The bell shall be installed in accordance with NFPA 13, 72, or local AHJ. The top of the device shall be no less than 90" above the finished floor (AFF) and not less than 6" below the ceiling.

1. Remove the gong.
2. Connect wiring (see Fig. 3).
3. Mount bell mechanism to backbox (bell mechanism must be mounted with the striker pointing down).
4. Reinstall the gong (be sure that the gong positioning pin, in the mechanism housing, is in the hole in the gong).
5. Test all bells for proper operation and observe that they can be heard where required (bells must be heard in all areas as designated by the authority having jurisdiction).

WARNING

Failure to install striker down will prevent bell from operating.



⚠ WARNING

- Installation must be performed by qualified personnel and in accordance with all national and local codes and ordinances.
- Shock hazard. Disconnect power source before servicing. Serious injury or death could result.
- Risk of explosion. Not for use in hazardous locations. Serious injury or death could result.

⚠ WARNING

In outdoor or wet installations, bell must be mounted with weatherproof backbox, BBK-1. Standard electrical boxes will not provide a weatherproof enclosure. If the bell and/or assembly is exposed to moisture, it may fail or create an electrical hazard.

Dimensions - in (mm)

Fig. 1 Bells

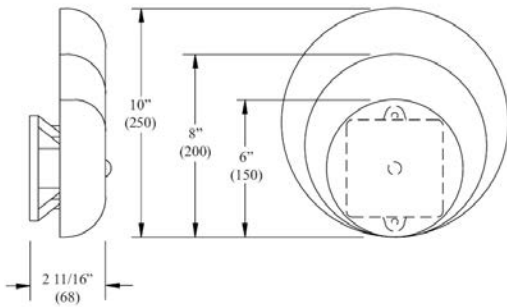


Fig. 2 Weatherproof Backbox BBK-1

Box has one threaded 1/2" conduit entrance.

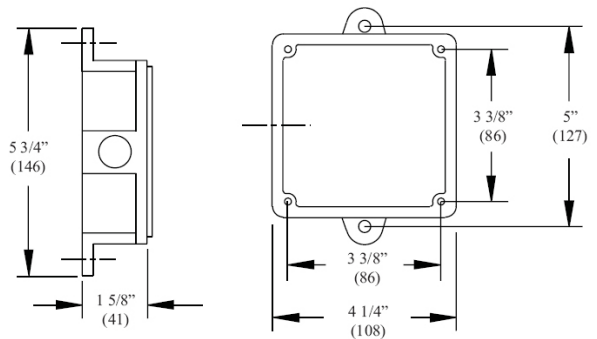
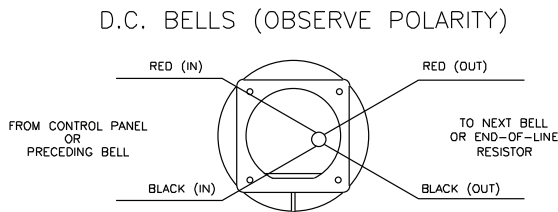


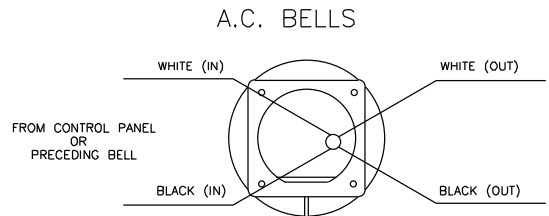
Fig. 3 Wiring (Rear View)



CAUTION:
WHEN ELECTRICAL SUPERVISION IS REQUIRED USE IN AND OUT LEADS AS SHOWN.

NOTES:

1. OBSERVE POLARITY TO RING D.C. BELLS.
2. RED WIRES POSITIVE (+).
3. BLACK WIRES NEGATIVE (-).
4. EOL RESISTOR IS SUPPLIED BY FIRE ALARM CONTROL PANEL.



CAUTION:
WHEN ELECTRICAL SUPERVISION IS REQUIRED USE IN AND OUT LEADS AS SHOWN.

NOTES:

1. WHEN USING A.C. BELLS, TERMINATE EACH EXTRA WIRE SEPARATELY AFTER LAST BELL.
2. END-OF-LINE RESISTOR IS NOT REQUIRED ON AC BELLS.

Note: Approvals/Listings maintained by and manufactured by Potter Electric Signal Company.

The seller makes no warranties, express or implied, including, but not limited to, the implied warranties of merchantability and fitness for a particular purpose, except as expressly stated in the seller's sales contract or sales acknowledgment form. Every attempt is made to keep our product information up-to-date and accurate. All specific applications cannot be covered, nor can all requirements be anticipated. All specifications are subject to change without notice.



1102 Rupcich Drive
Millennium Park
Crown Point, IN 46307
TEL: (219) 663-1600 FAX: (219) 663-4562
e-mail: info@janusfiresystems.com
www.janusfiresystems.com