



ARM-2

AUXILIARY RELAY MODULE



P/N 18633

Dimensions:

2 1/4" x 3 1/2" x 3"
(57.15 mm x 88.9 mm x 76.2 mm)

Weight: 0.315 lb (0.143 kg)

Assembly: Socketed relay in plastic mounting track

Power Requirements: 40 mA at 24 VDC

Contact Ratings:

Each relay has DPDT contacts,
Rated at 10 amps resistive,
120/240 VAC, 0-30 VDC



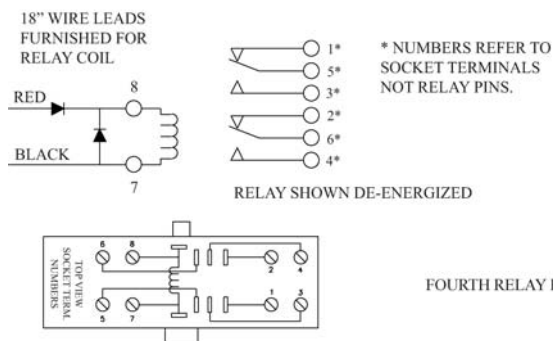
The ARM-2 Auxiliary Relay Module is a UL listed option when factory installed in the Janus Fire Systems® JFS-C1 Releasing Control Panel.

When the ARM-2 is used the additional power required for this relay module must be subtracted from the total circuit current available.

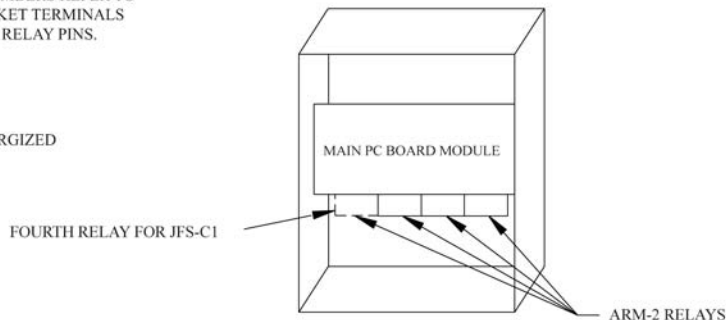
See the JFS-C1 Manual. The ARM-2 Auxiliary Relay Module is a non-supervised DPDT Relay designed to be activated by 24 VDC Indicating and/or Releasing, polarity reversing circuits. The module can be used for fan shutdown, door release, elevator recall, etc.

Note: One to four ARM-2 modules in the JFS-C1 Series may be utilized to provide multiple auxiliary functions.

Wiring



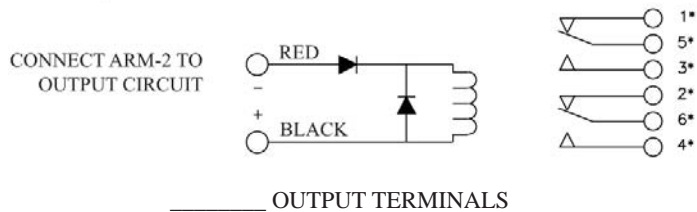
Placement in JFS-C1 Series Control Unit





ARM-2/JFS-C1 Installation Hook-Up Diagram

All relays shown in non-activated condition



Notes:

1. *Numbers refer to socket terminals not relay pins.
2. Auxiliary relay operation is determined by programming of the JFS-C1 Series panel. Consult the appropriate manual for further information.

Note: Approvals/Listings maintained by and manufactured by Potter Electric Signal Company.

The seller makes no warranties, express or implied, including, but not limited to, the implied warranties of merchantability and fitness for a particular purpose, except as expressly stated in the seller's sales contract or sales acknowledgment form. Every attempt is made to keep our product information up-to-date and accurate. All specific applications cannot be covered, nor can all requirements be anticipated. All specifications are subject to change without notice.



1102 Rucpich Drive
 Millennium Park
 Crown Point, IN 46307
 TEL: (219) 663-1600 FAX: (219) 663-4562
 e-mail: info@janusfiresystems.com
www.janusfiresystems.com