



JFS-C1

RELEASING CONTROL PANEL



Dimensions: 18 ¼" x 14 ½" x 4 ¾"
(483.6 mm x 368.3 mm x 120.7 mm)



P/N 18630

Features

- Single-Hazard Operation
 - Four Class B Initiating Circuits
 - Two Class B Supervisory Circuits²
 - Four Class B Output Circuits
 - Programmable Cross Zoning
 - Supervised Microprocessor
 - 32 Character Alpha-Numeric LCD Display
 - Custom Banner Message and Zone Description Text
 - Custom Zone Description Text
 - On Board Menu Driven Programming Controls
 - Releasing Circuits Protected from False Activation
 - Continuous or Timed Discharge
 - 40 Event History Buffer
 - Walktest with Automatic Time-Out
 - Alarm, Trouble, Supervisory, and Waterflow Relays
 - Optional Class A Initiating Zone and Output Module
 - 34 Character LED Supplemental Display
 - 32 Standard Programs in Panel Memory
 - Password Protection for all Programming
 - 24 Hour Clock
 - Suitable for Agent or Water Based Extinguishing
 - Programmable Pre-Discharge Timers¹
 - One Class B Abort Circuit¹ (defaults to additional supervisory zone in water based mode.)
 - Three Abort Modes
 - Programmable Spurt Function³
 - Programmable Remote Reset⁴
- ¹ available in chemical mode only
² one zone programmable as abort in chemical mode
³ Janus Based mode only
⁴ Janus Based mode only and limited to requirements set forth in JFS-C1 manual DOC105 (5403552)

The Janus Fire Systems® JFS-C1 Releasing Control Panel is a flexible single-hazard releasing control panel that is well suited for a number of applications. The panel is listed for use with agent based fire suppression systems as well as pre-action and deluge sprinkler suppression systems.

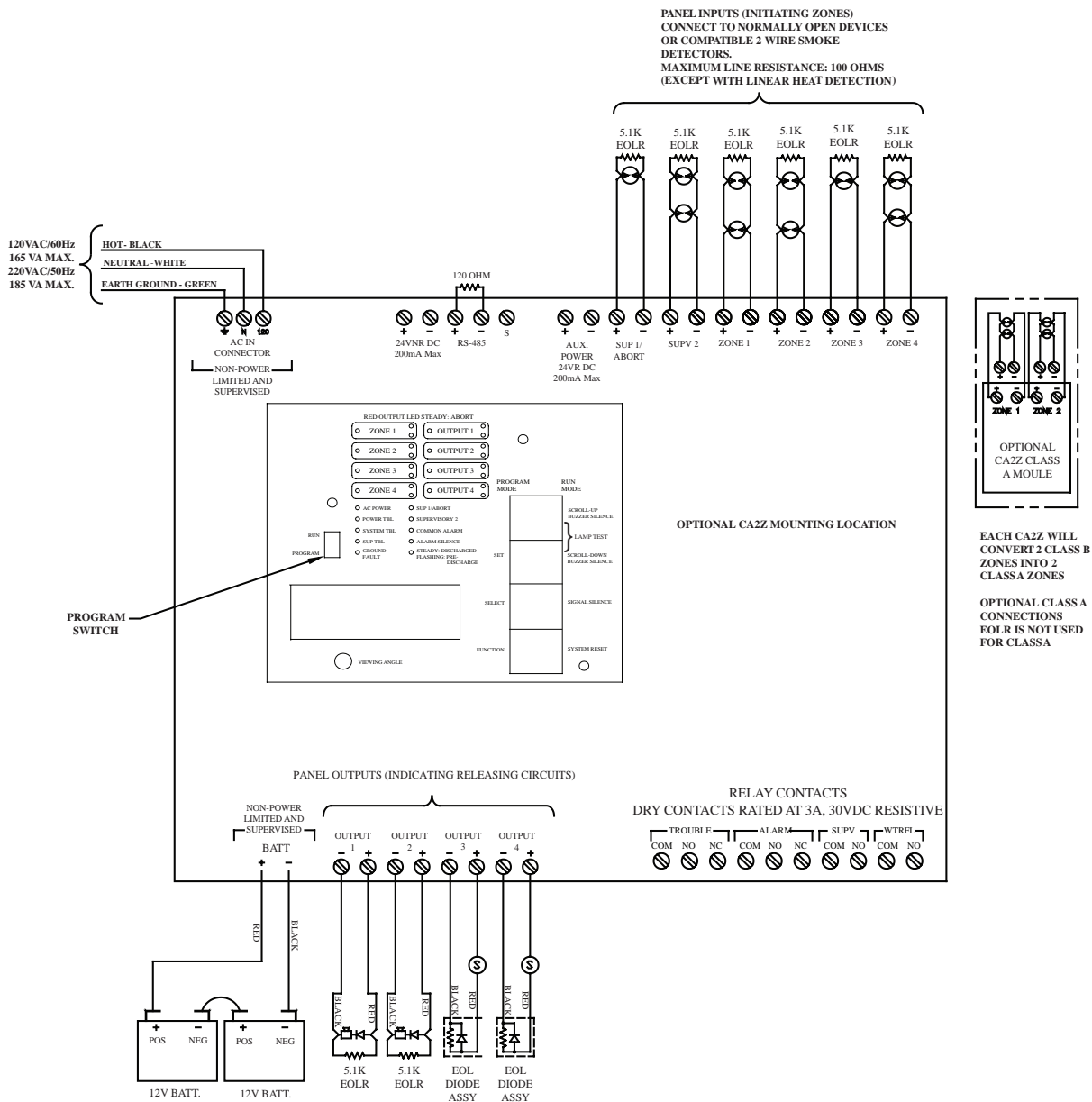
The panel utilizes a microprocessor-based system that has 32 Standard Programs, which covers a majority of installations. The simple to follow Menu Structure programs the entire system in a matter of minutes. In addition to the Standard Programs, the panel allows custom programming to accommodate any installation.

The panel is housed in a durable steel cabinet with removable door and key lock. The panel comes in a red finish with an optional flush mount trim ring. The cabinet contains knockouts on the side, back and top of the cabinet to ease installation.

In addition, the cabinet will house up to 18 amp-hour batteries that will provide up to 90 hours of standby power.



JFS-C1 Layout



Notes:

1. Connect only UL Listed 24 VDC devices to indicating circuits.
2. Connect EOL Diode assembly IN SERIES with solenoid on release circuit.
3. Leave EOLR (provided) on all unused circuits.
4. Polarity mark on output terminal is for a normal, no alarm condition.
5. Polarity reverses when output is activated.
6. Maximum current per output is 1 Amp. Maximum voltage is 33 VDC.
7. Maximum current for all four outputs combined is 2-1/2 Amps. All outputs are special application 24 VDC.

8. All initiating and NAC/Release circuits are supervised and power limited. All frequencies are continuous.
9. Maximum resistance on outputs is 10 ohms. Maximum resistance on outputs programmed as releasing, is 1 divided by current requirements of solenoid.
10. Notification outputs do not provide synchronization. If synchronization is needed, refer to the Janus Fire Systems[®] JFS-C1 manual. Synchronization is only on one circuit and not between circuits. The maximum cannot exceed 1 amp or whatever the maximum that the sync module can support, whichever is lower.



Architects/Engineers Specifications

The control panel for the extinguishing agent releasing system shall be a microprocessor based control capable of protecting multiple hazards in one control panel. It shall be Underwriters Laboratories Inc. listed under Standard 864 Ninth Edition and Underwriters Laboratories of Canada listed for Local Control Units for Releasing Service.

The control shall also be approved by Factory Mutual Research Corporation and be compliant with the requirements of NFPA-72 (Local: A, M, SS service types; DAC and NC signaling type) and NFPA-12, NFPA-12A, NFPA-13, NFPA-15, NFPA-16, NFPA-17, NFPA-17A, NFPA-750, and NFPA-2001.

The control shall be housed in an 18 gauge steel cabinet that has a hinged, removable door with a key lock. The finish shall be baked enamel and available in red with contrasting trim and logo. An optional matching bezel should be available for semi-flush mounting. The cabinet shall have adequate space to house 18 AH standby batteries capable of operating the system for up to 90 hours.

The control shall include a fully supervised integral power supply/battery charger capable of providing 200 mA to the auxiliary power circuit. It shall also be capable of providing 2.5 Amps to all releasing and notification appliance circuits combined. All initiating, output, and auxiliary power circuits shall be power limited.

The control shall have a 32 character (16 characters, 2 lines) backlit LCD display and a 34 LED supplemental display. All diagnostic and alarm event information shall be viewable in text form on this display.

A field programmable custom banner message with the current date and time shall be displayed when no current alarm or diagnostic information exists.

All operational features of the control panel shall be field programmable using menu driven selections on the alpha-numeric display and on board controls. No special programmer will be required and jumpers or switches to configure operational features shall not be permitted. Alarm and trouble indications shall resound when required.

The control panel shall be equipped with 32 programs built into the panel memory, 14 for water based extinguishing and 18 for agent extinguishing. In addition, the panel shall have the ability to add custom programs. All programming functions shall be password protected.

The control shall have four fully supervised Class B (Style B) initiating circuits capable of supporting the operation of 25 compatible 2-wire smoke detectors on each circuit.

The individual circuits shall be selectable through the programming sequence to operate in one of the following modes: Conventional, Waterflow, Linear Heat Detection (up to 10,000 feet per zone), Manual Release, Low Air Alarm, Supervisory, Tamper, Low Air or High Air.

Optional Class A modules, CA2Z, may be added for Class A operation. The panel shall have a Low Air Zone that creates a supervisory condition and map to an output.

The control shall have two fully supervised Class B (Style B) supervisory circuits. These circuits shall be selectable through the programming sequence to operate in one of the following modes: Supervisory, Tamper, Low Air or High Air.

The control shall have one fully supervised Class B (Style B) abort circuit with 3 different operating modes, ULI, IRI, and NYC.

The control shall have four fully supervised Class B (Style Y) output circuits. These circuits shall be selectable through the programming sequence to operate as one of the following: Alarm Notification Appliance, Supervisory Notification Appliance, Trouble Notification Appliance or Releasing. The optional CAM module may be added to convert the outputs to Class A.

The panel shall have an RS-485 output and auxiliary power outputs for connection and supervision of up to 4 remote annunciators.

The releasing circuits shall be supervised for short circuit conditions and shall be programmable for cross zoning operation when required.

The panel shall have programmable spurt function and remote reset available in Janus Based modes. Refer to JFS-C1 Manual DOC105 (5403552) for requirements for use of remote reset.



The discharge timer for these releasing circuits shall be programmable for times of 0.1 minutes to 30.0 minutes in 0.1 minute increments or 1 minute to 300 minutes in 1 minute increments. All initiating and output circuits shall be capable of being individually disabled or enabled. In addition, when in the agent extinguishing mode there shall be a pre-discharge timer adjustable from 0-60 seconds from an alarm zone or 0-30 seconds from a manual release zone.

The control shall have a test mode that will automatically disable all releasing circuits. The test mode shall operate in such a manner as to automatically reset the initiating circuit and indicating circuits after detecting each alarm condition initiated by the test. All testing shall be recorded in the 40 event history buffer. The test mode will automatically terminate after twenty minutes of inactivity.

The control shall have four integral relay contacts rated 3 Amps at 30 VDC for connection to external auxiliary equipment. One relay shall operate when an alarm condition occurs, another when a trouble signal occurs, the third when a supervisory condition occurs, and the fourth during a water-flow condition.

Ordering Information		
Model Number	Description	P/N
JFS-C1	Single Hazard Releasing Control Panel (Red Cabinet)	18630
PFC-TR	Bezel for Semi-Flush Mounting (Red)	18709
BT-80	Battery, 12V 8AH (2 Req'd)	18641
BT-120	Battery, 12V 12AH (2 Req'd)	18642
BT-180	Battery, 12V, 18AH (2 Req'd)	18643
CA2Z	2 Zone Class A Initiating Circuit Module	18631
CAM	Class A Indicating Circuit Module	18632
ARM-2	Auxiliary Relay Module	18633
ARM-44	Relay Module	19091
RA-4410-RC	Remote Annunciator	18634
PS-24	Photoelectric Smoke Detector	18635
SB-46	Smoke Detector Base	18637
SB-81R	Smoke Detector Base w/Relay 81 mA draw	18638

Spare Components		
Model Number	Description	P/N
n/a	Spare CPU	18640
n/a	EOL Resistor/Diode Assembly for Releasing Circuit	18712
n/a	EOL Resistor, 5.1K	99950

Note: Approvals/Listings maintained by and manufactured by Potter Electric Signal Company.

The seller makes no warranties, express or implied, including, but not limited to, the implied warranties of merchantability and fitness for a particular purpose, except as expressly stated in the seller's sales contract or sales acknowledgment form. Every attempt is made to keep our product information up-to-date and accurate. All specific applications cannot be covered, nor can all requirements be anticipated. All specifications are subject to change without notice.



1102 Rucpich Drive
 Millennium Park
 Crown Point, IN 46307
 TEL: (219) 663-1600 FAX: (219) 663-4562
 e-mail: info@janusfiresystems.com
 www.janusfiresystems.com